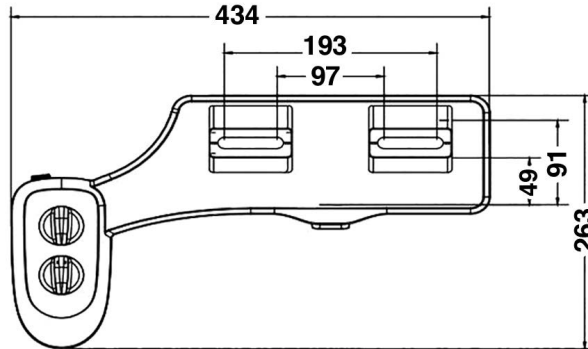
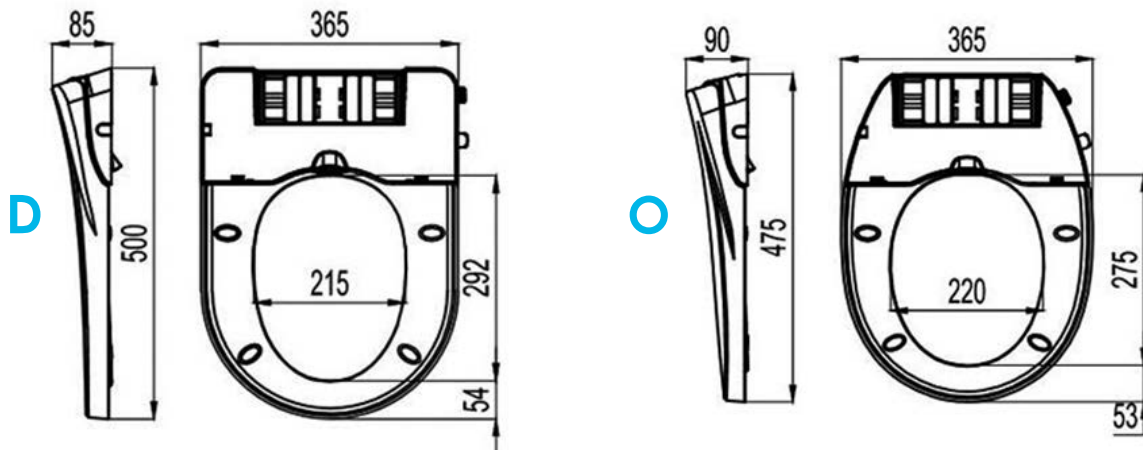


Modello **GPTBASIC**



Modello **GPTCOMFORT**



Modello **GPTDELUXE**

